

Should this item be pulled from the consent agenda, the following motion would be in order:

**POSSIBLE MOTION**


I MOVE TO award the Combiner/Multiplexer System for Sitka Police Department funded under the 2011 Homeland Security Grant to Procomm Alaska for their low bid of \$77,521

**P O L I C E**

**DEPARTMENT**

**MEMO**

City and Borough of Sitka

<b>To:</b>	Jim Dinley
<b>From:</b>	Sheldon Schmitt 
<b>Subject:</b>	Sitka Combiner Bid award
<b>Date:</b>	Wednesday, June 20, 2012

The City and Borough of Sitka accepted the 2011 Homeland Security grant. One of the projects is a combiner/multiplexor system. According to the purchasing requirements of the City and Borough of Sitka and of Homeland Security, this project went out to bid on May 29, 2012. The bidding processed closed on June 19<sup>th</sup> at 2:00 pm. Fourteen different entities downloaded the bid package, however, only one responded.

The bid from Procomm Alaska met the bid requirements and came in at \$77,521.00 which was less than the \$86,000.00 that was awarded under the Homeland Security Grant.

I recommend that the contract be awarded to Procomm Alaska for the amount of \$77,521.00.

Attached are the RFP, the Grant award document, the list of entities that downloaded the package and the proposal from Procomm Alaska.

## **PART III**

# **SUMMARY OF WORK**

The City and Borough of Sitka (Sitka) is seeking proposals and sealed bids from qualified vendors to furnish and install equipment, accessories, hardware, software, labor, training, and materials to install a seven (7) channel transmit combiner and receiver multi-coupler RF system with corresponding antennas. Maintenance on the systems installed will be included. The proposed system will be installed in Sitka, AK. The contract shall be awarded to the company that submits the best overall proposal meeting the needs of Sitka. Proposals will be evaluated based upon the requirements and industry standards (75%) and bids (25%). Notwithstanding all of the technical requirements, the vendor must supply a complete and useable system compatible with all digital / analog protocols with no gaps in system compatibility. Vendors are encouraged to highlight any discrepancies noted within the RFP and to propose alternate solutions which may be in the best interest of Sitka, provided they meet the minimum requirements. Pricing for any options must be included within the sealed bid at the time of delivery.

Two copies of the proposal along with sealed bids shall be submitted to no later than 2:00 p.m., Tuesday, June 19, 2012. An electronic copy of the entire proposal and proposed contracts (minus bids) shall be included. Proposals should be submitted to:

Office of the City Clerk  
City and Borough of Sitka  
100 Lincoln St.  
Sitka, A.K. 99835

The customer contact for this project is:

Tim White, Police Technician  
City and Borough of Sitka Police Department  
304 Lake St., Room 102  
Sitka, A.K. 99835  
907-966-5704

City and Borough of Sitka reserves the right to reject any and all proposals received and to waive any formalities as may be permitted by law.

## General Information

The City and Borough of Sitka, Alaska, (hereinafter referred to as the customer) is soliciting proposals and sealed bids from qualified vendors to furnish and install equipment, accessories, hardware, software, labor, training, and materials necessary to install a seven (7) channel transmit combiner and receiver multi-coupler RF system with corresponding antennas. The proposed system will be installed in Sitka, Alaska. This solicitation is for the purchase of technology goods and services and shall be awarded as per City and Borough of Sitka Statutes. The proposals received shall remain confidential until the contract is awarded; therefore there will not be a public bid opening.

The schedule for this project is currently as follows:

Request for Proposals / Bids Issued May 29, 2012

Deadline for written questions June 8, 2012

Question responses June 15, 2012

Proposals / Bids Due June 19, 2012

Proposals Reviewed June 20, 2012

Contract Award June 27, 2012

Approximate Installation Completion September 30, 2012

Final Acceptance and Testing Completed October 31, 2012

Any questions regarding this RFP should be directed in writing to Tim White at [timw@sitkapd.com](mailto:timw@sitkapd.com) with read receipt requested.

All items will be shipped FOB to City and Borough of Sitka Police Department, 304 Lake St, Room 102, Sitka, AK, or as otherwise specified. The vendor will be fully responsible for all equipment that is delivered at other than the scheduled times and locations.

All wiring requirements shall be specified within the proposal. All interconnection wiring to the radios, tower and grounding shall be included. All required patch cables and installation are to be included and shall be the required length and a maximum of 25% extra. The city reserves the right to specify a cable coloring scheme to be utilized.

Payment will be made as invoiced. Proposals shall include a payment schedule.

Local tax should not be included in the proposal. A tax exempt card for local taxes may be applied for at the city offices. The customer will not reimburse local taxes. All exceptions must be clearly indicated as applicable and summarized at the end of the proposal. An authorized signature must accompany this list indicating that all exceptions are noted and disclosed. Vendor warrants that his bid is genuine and not collusive nor sham and that he has not conspired nor agreed in any manner to fix any bid price or any element of such price, payment or agreement for commission percentage, brokerage, or any other compensation for the procurement of this contract.

The vendor and all subcontractors, at their own expense, shall provide and maintain insurance with a company licensed to do business in Alaska as follows:

1. Workman's Compensation as required by all federal, state, maritime or other laws.

2. Comprehensive general liability including contractors liability, contingent liability, contractual liability, completed operation and product liability all on the occurrence basis with personal injury coverage:
  - a. Personal injury each person \$1,000,000
  - b. Each occurrence \$1,000,000
  - c. Property damage \$1,000,000
  
3. The contractor and all subcontractors in connection with the above mentioned insurance shall furnish to the customer a certificate of insurance showing proof of insurance and naming City and Borough of Sitka as additionally insured and that insurance is in full force prior to commencement of the contract.
  - a. Umbrella liability limit of liability \$1,000,000

All insurance required to be maintained or provided by the Contractor and subcontractors shall be with companies and through policies approved by the Purchasing Agent. The city has the right to inspect in person, prior to the commencement of work, all of the Contractor's insurance policies in regards to required insurance coverage's. All such Insurance Companies shall carry a Best's rating of A+ (or equivalent) and be approved and licensed to do business in the State of Alaska.

The contractor and all subcontractors in connection with the contract will be certified for the work they are responsible for. For example, any personnel climbing and working on the tower will be tower certified, any personnel working on the Motorola Quantar radio will be certified to work on it, etc.

The project consists of providing equipment and installation of a seven (7) channel transmit combiner and receive multi-coupler with antennas.

The frequencies of the seven radios are as follows;

Tx	Rx	
155.655	158.730	PD Main
154.445	159.060	Fire Main
155.340	155.340	SCH (Simplex)
156.240	153.830	SAR
155.055	159.240	Fire Tac1
153.590	158.190	Electric Dept
151.3925	156.0075	Public Works Repeater

In addition, the State of Alaska has an ALMR stand-alone site co-located with the City of Sitka. They are using the following frequencies.

154.775	138.0375	Control
155.600	138.3875	Ch 1
155.8625	138.5875	Ch 2
155.1375	138.1875	Ch 3
155.3625	138.0875	Ch 4

The vendor shall provide the following:

Provide and install one (1) seven channel combiner – multi-coupler (up to two racks size 87”H x 24”W x 40”D).

Build RF jumper coax cables between penetration panel and combiner/multi-coupler and between combiner/multi-coupler and each of base station/repeater (7 radios total).

Check the status of existing antennas and coax to be reused with a new RF system (sweep antennas and coax with a Site Master or equivalent).

Provide and install one (1) wide bandwidth (26 MHz), 2.5 dB gain VHF antenna for the future use at the 60 feet level on the tower.

Re-organize antennas on the tower so Multi-coupler Rx antenna and ALMR Rx antenna would be located at 100 feet level (top of the tower). TX antennas would be installed on 60 feet level with additional antennas at the 35 feet level if necessary.

Removed unused / or bad antennas from tower and return to the City for storage.

Tune radios, combiner and multi-coupler for optimum performance.

Verify that there is no interference to or from the co-located ALMR radios.

Sweep antennas and coax runs with Site Master (or equivalent) at the end of project for verification of the work.

All components of the system shall meet the requirements of FCC Rules and Regulations Part 6B (Registration) and Part 15 (Emission and Interference). The vendor shall provide in the bid response all license, permits and registration numbers obtained in their compliance with these Rules and Regulations.

All specialized terms utilized within the proposal and contract shall be as defined by the Sitka Police Department, National Emergency Number Association (NENA), Association of Public Safety Communications Officers (APCO), National Academy of Emergency Dispatch (NAED) and the National Fire Protection Association (NFPA). All other terms shall be as defined by Mosby’s Emergency Dictionary and Webster’s Dictionary.

## **Requirements**

Taking exception to a significant capability may disqualify the bid response and create no further evaluation of the response.

All equipment at the location shall include 72” tall racks. All grounding will meet or exceed Motorola R52 grounding standards.

The vendor shall provide a detailed description and block diagram of the system to be provided, including a discussion of the system’s architecture and its ability to provide service required by the customer. Electrical and other connection requirements are to be specified.

The vendor shall provide all documentation to show proper certification for the task performed. For example, tower certification for any personnel involved in tower work.

The vendor shall provide along with their response a narrative concerning the procedures for reporting troubles, including telephone number and email address for first, second and third level supervision and general maintenance overview.

### **Acceptance**

The vendor must thoroughly test the entire system prior to conversion.

The customer requires the vendor to ring-talk test each radio at least twice prior to cutover with the customer's representative present. During the testing, the vendor shall log all troubles found and make any necessary repairs or adjustments at their cost. These reports shall be submitted to the customer showing all errors found and corrective action taken to resolve troubles.

The vendor shall make sure that all features of the radios are working.

The vendor must provide, at a minimum, a qualified engineering technician (initially onsite and thereafter immediately available to the site) for the first 24 hours after the cutover.

The proposal shall include all contracts necessary for the purchase and maintenance as proposed. It is the intent of the customer to select and award contracts at the June Assembly meeting; therefore any required contract clarification, negotiations and corrections must be completed by June 19, 2012, without exception.



State of Alaska

Division of Homeland Security and Emergency Management

Under  
 US Department of Homeland Security  
 Federal Emergency Management Agency  
 Grant Programs Directorate

AWARD DATE

10/28/2011

FEDERAL GRANT PROGRAM

2011 Homeland Security Grant Program

OBLIGATING AWARD DOCUMENT

AMENDMENT

FEDERAL GRANT NUMBER

EMW-2011-SS-00053

RECIPIENT NAME AND ADDRESS		PERFORMANCE PERIOD		CFDA	97.067
Sitka, City and Borough 100 Lincoln Street Sitka, AK 99835		FROM	12/01/2011	AWARD AMOUNT	
		TO	12/31/2013	\$116,450.00	
FUNDING NUMBER		STATE GRANT NUMBER		11SHSP-GR34076	
063373831		FUNDING ALLOCATION			
FIN	92-0041163	PLANNING		EXERCISE	
METHOD OF PAYMENT		TRAINING		EQUIPMENT	\$116,450.00
REIMBURSEMENT					

PURPOSE OF AWARD

The State Homeland Security Program (SHSP) provides funding to support the implementation of the State Homeland Security Strategy to address the identified planning, equipment, training, and exercise needs at the state and local levels to prevent, protect against, respond to, and recover from acts of terrorism and other catastrophic events. Consistent with the Implementing Recommendations of the 9/11 Act of 2007 (Public Law 110-53), states are required to ensure that at least 25 percent of SHSP appropriated funds are dedicated towards law enforcement terrorism prevention-oriented planning, training, exercise, and equipment activities, including those activities which support the development of identified capabilities. Project Budget Details are funding allocations, and are not to be construed as expenditure authorizations or approvals.


GRANT TERMS AND CONDITIONS	GRANT REQUIREMENTS, ASSURANCES AND AGREEMENTS
See Attached	See Attached

SPECIAL CONDITIONS

See Attached

AGENCY INFORMATION				
ADDRESS	Division of Homeland Security and Emergency Management PO Box 5750 JBER, AK 99505-5750		WEBSITE	http://ready.alaska.gov
			EMAIL	mva.grants@alaska.gov
			PHONE	907-428-7000
			FAX	907-428-7009

AGENCY PROJECT MANAGER	PHONE	FAX	EMAIL
Michelle Heun	907-428-7089	907-428-7009	michelle.heun@alaska.gov

AGENCY APPROVAL		RECIPIENT ACCEPTANCE	
NAME AND TITLE OF APPROVING AGENCY OFFICIAL		NAME AND TITLE OF AUTHORIZED RECIPIENT OFFICIAL	
John W. Madden, Director			
SIGNATURE OF APPROVING AGENCY OFFICIAL		SIGNATURE OF AUTHORIZED RECIPIENT OFFICIAL	
			
		DATE	
		10/31/2011	

FOR STATE USE ONLY			
GO LOCATION CODE	709291001	DIVISION FILE NUMBER	
		DATE RETURNED	

## Request for Equipment Funds

### Alaska Division of Homeland Security and Emergency Management

### Application for Homeland Security Grant Funds

Please contact Michelle Heun ([michelle.heun@alaska.gov](mailto:michelle.heun@alaska.gov)) at 907-428-7089 if you have any questions regarding this application.

Jurisdiction:	City and Borough of Sitka	
Responsible Borough: (if applicable)	Sitka	<input checked="" type="checkbox"/> Law Enforcement Related
Total Amount Requested	\$ 116,450	<input type="checkbox"/> Alaska Shield Request

**1. Briefly explain the project and funding needs to support the below item description(s).**

The City and Borough of Sitka has, over the past several years, repositioned all of its regular and emergency radio communications onto a hilltop site. This site is accessible most of the year, but secure. We have included many redundant systems to make sure that this site will remain active in an emergency with minimal assistance. With the communications equipment that is needed to maintain interoperability within different agencies in the Sitka area, we have started to run into two major issues, antenna space on our tower and interference between radios. Both of these issues can be alleviated with the purchase of equipment called a multicoupler/combiner.

A multicoupler/combiner allows for the simultaneous transmitting and receiving of emergency radio communications from and to several different radios through two antennas. The filters in a multicoupler keep the radio frequencies from interfering with each other, and because there are only two antennas needed we will free up space on the tower. Unused antennas will also remain on the tower so that we have redundancies if there is a failure on a primary antenna.

The funding for this request will be used to purchase the multicoupler/combiner and cables needed, and for a complete installation by the vendor with certification upon completion.

**2. Select one and indicate the amount of funding needed.**

Choose one equipment type from the authorized equipment list (AEL).	Dollar Amount
Interoperable Communications Equipment	\$86,000

Please provide an Item description and the authorized equipment list (AEL) number for each piece of equipment within the category selected above. The AEL number can be found at [www.rkb.us](http://www.rkb.us).

Item Description	AEL #	Unit Each	Discipline
Multicoupler/Combiner	06CP-03-TOWR	1	Public Safety Communications
			Choose an item.
			Choose an item.

			Choose an item.
			Choose an item.
			Choose an item.
			Choose an item.
			Choose an item.
			Choose an item.
			Choose an item.
			Choose an item.
			Choose an item.
			Choose an item.
			Choose an item.
			Choose an item.
			Choose an item.
			Choose an item.
			Choose an item.

**3. Complete a Project Budget Detail (PBD) and attach with each application.**

**Select one primary goal for this request.**

Goal 5: Provide statewide, sustainable, interoperable communications infrastructure to support local, regional, and statewide response to all-hazard and terrorist related incidents

**Select one primary objective for this request. The objective must align with the corresponding goal selected above.**

5A. Ensure local agencies and jurisdictions possess operable and interoperable capabilities as needed.

**Jurisdiction Point of Contact:**

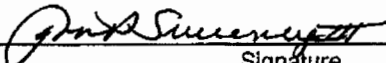
- Name:** Sheldon Schmitt, Chief of Police
- Address:** 304 Lake St. #102, Sitka, AK 99835
- Telephone Number:** 907-747-3245
- Fax Number:** 907-747-7122
- Email Address:** sheldons@sitkapd.com

**Authorization to Submit Application:**

By signature below the undersigned acknowledge they have been duly authorized by the jurisdiction to submit this application and will comply with the assurances, agreements, and/or special conditions set forth upon receipt of grant award.

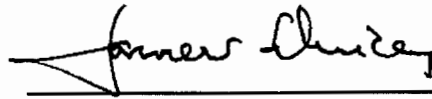
**Jurisdiction Financial Officer:**

Printed Name: John P. Sweeney III

  
 \_\_\_\_\_  
 Signature

**Jurisdiction Signatory Official:**

**Printed Name: James Dinley**

A handwritten signature in black ink, appearing to read "James Dinley", written over a horizontal line.

Signature

**Submit applications by fax or email to: Fax 907-428-7009, email [mva.grants@alaska.gov](mailto:mva.grants@alaska.gov)  
Attn: Jim King, Grants Administrator ([jim.king@alaska.gov](mailto:jim.king@alaska.gov))**

# Project Budget Detail

Jurisdiction: City & Borough of Sitka

Type Activity: Equipment

PBD #	Item Description	Qty	Unit Cost	Budgeted Cost
1	Multi-Coupler/Combiner	1	\$ 86,000.00	\$86,000.00
2				\$0.00
3				\$0.00
4				\$0.00
5				\$0.00
6				\$0.00
7				\$0.00
8				\$0.00
9				\$0.00
10				\$0.00
11				\$0.00
12				\$0.00
13				\$0.00
14				\$0.00
15				\$0.00
16				\$0.00
17				\$0.00
18				\$0.00
19				\$0.00
20				\$0.00
<b>Total</b>				<b>\$86,000.00</b>

**Official CBS Plan Holders List for Sitka Antenna Combiner System****Bid Document, Addendum No. 1, Addendum No. 2**

Document ID: PB91044307

Contact: Tim White

Department: Public works bids and RFPs

Doc Type: Bid Document

Email: timw@sitkapd.com

Phone: (907) 966-5704

Fax: (000) 000-0000

Address: 100 Lincoln

Sitka

AK

99835

Effective Date: 05/29/2012

Expiration or Bid

Opening Date: 06/19/2012

Last Changed on 06/15/2012

First / Last Name	Company	Phone	Fax	Email	Address	City	State	Zip
Jason Simon	Edge Group	(186) 645-2267	(000) 000-0000	jason@edge-group.com	4035 Willowbend Blvd. Suite 400	Houston	TX	77025
william kubicki	emr	(623) 581-2875	(623) 582-9499	billkubicki@emrcorp.com	22402 N. 19th Ave	Phoenix	AZ	85027
Jeremy Cloe	CDWG	(847) 371-7072	(847) 371-7872	jerecio@cdwg.com	230 milwaukee	Vernon Hills	IL	60061
philip williams	williams usa inc	(866) 828-6763	(866) 828-6763	n8972@williamscom.com	po box 89	windsor	CA	95492
Megan Verdoorn	Contractor Plan Center	(503) 650-0148	(503) 650-8273	megan@contractorplancenter.com	5468 SE International Way	Milwaukie	OR	97222
Plan Center	Daily Journal of Commerce	(120) 662-2827	(120) 662-2841	plans@djc.com	83 Columbia Street, Ste. 200	Seattle	WA	98104
Jason Hall	eRepublic	(916) 932-1300	(000) 000-0000	jhall@erepublic.com	100 blue Ravine Road	Folsom	CA	95630
asdfasdf asdf	adf	(111) 111-1111	(111) 111-1111	asdfasdf@aol.com	1651 something Ave	asdfasd	AK	55555
Mike Feryan	Telewave, Inc.	(559) 636-7946	(559) 741-1938	mike.feryan@telewave.com	660 Giguere Court	San Jose	CA	95133
Jim Vincent	Vincent Communications Inc	(559) 292-7010	(559) 292-7132	jim@vincentcom.com	5773 E Shields	Fresno	CA	93727
CHERYL MOORE	PROCOMM ALASKA LLC	(907) 563-1176	(907) 261-2663	CMOORE@PROCOMMALASKA.COM	2100 E 63RD AVE	ANCHORAGE	AK	99507
Eduardo Zakdivar	Fiplex Communications, Inc.	(305) 884-8991	(305) 884-4041	ezakivar@fiplex.com	7331 NW 54th Street	Miami	FL	33166
Dan Jackson	Bidclerk	(131) 238-0477	(000) 000-0000	djackson@bidclerk.com	28 N Clark St Ste 450	Chicago	IL	60602
Cory Edwards	SPX	(207) 655-8131	(207) 655-8173	Cory.edwards@spx.com	22 Tower Rd	Raymond	ME	04071
Ali Tingley	The Plans Room	(907) 563-2029	(907) 562-0956	ali@theplansroom.com	4831 Old Seward Hwy '202	Anchorage	AK	99503

***07-194 City of Sitka – Japonski  
Island Site Antenna Combiner  
System***

---

*Proposal to*

***CITY OF SITKA***

*Presented by*

***PROCOMM ALASKA LLC***

**June 18, 2012**



PCA #07-194  
City of Sitka – Combiner  
06/18/2012

This page intentionally blank

The design, technical, and cost information furnished with this proposal is to be considered proprietary information of ProComm Alaska LLC. Such information is submitted with the restriction that it is to be used only for the evaluation of the proposal, and is not to be disclosed publicly or in any manner to anyone other than those employed by City of Sitka required to evaluate the proposal, without the express written permission of ProComm Alaska LLC.

Design, engineering and pricing information contained in this offering is considered confidential, proprietary and trade secret and may not be shared with any person or agency not directly associated with the addressee without the express written consent of ProComm Alaska, or its designees.





## PROJECT DESCRIPTION

### 1.0 PROJECT DESCRIPTION

The objective of this project is to consolidate antenna resources on the City of Sitka's radio tower. PCA proposes installing a 7 channel combiner/multi-coupler with one receive and three transmit antennas. City of Sitka has released a Request for Proposal and this proposal is the response to the RFP from ProComm Alaska LLC (PCA) for the completion of this project.

### 2.0 PROJECT IDENTIFICATION

Project Number:	07-194 Revision #7
Purchaser:	City of Sitka
End User:	City of Sitka
Proposal Date:	6/18/2012
Prepared By:	Gary Peters / Jarek Grzeda

## STATEMENT OF WORK

### 3.0 PURPOSE OF STATEMENT OF WORK

PCA presents this Statement of Work (SOW) to summarize project deliverables and define project responsibilities. It is the intent of PCA that this document be a mutually agreed upon document and reflects the most current understanding of task responsibilities.

The SOW will express the actual work involved for the installation and optimization phase of the project, the installation standards that will be followed, and the responsibilities of both PCA and City of Sitka in the completion of the contract. A final SOW must be approved by City of Sitka prior to contract execution.

### 4.0 STATEMENT OF WORK AMENDMENT PROCEDURE

Changes to this document must be submitted by a written request from either City of Sitka or PCA, and approved by the other party. A Change Request form is included in Appendix A of this document and will be used to identify the Scope of Work of the requested change. PCA will determine whether additional equipment, services, modification to the time line, and relevant pricing changes are needed in order to implement the Change Request.

Approval for any additional expenditure must be obtained by City of Sitka prior to the commencement of any additional work or ordering of equipment as a result of the Change Request.

City of Sitka will officially notify PCA of approval of the Change Request by providing a signed Change Request or a Notice-to-Proceed reflecting the changes.



PCA will proceed with all due diligence to incorporate the changes approved in the Change Request.

## **5.0 PROCOMM ALASKA RESPONSIBILITIES**

- 5.1 Provide and install one (1) seven channel EMR brand antenna transmitter combiner receiver multi-coupler in the City of Sitka radio site at the Japonski Island site.
- 5.2 Provide a Safety/Tower Rescue and Climber certified tower crew and Motorola certified Radio Frequency technicians to relocate and install VHF antennas on the tower for a new combiner/multi-coupler and existing ALMR system, install and tune transmit combiner and receiver multi-coupler equipment using Quantar level settings internal to each transmitter.
- 5.3 Provide RF connectors and RF jumper cables for internal wiring between radios, combiner, multi-coupler and penetration panel. PCA's tower crew will remove the unused antennas from tower and return to the City for storage and provide new tower hardware for cable management as needed.
- 5.4 A PCA technician (w/representative of City of Sitka) will monitor the operation of radio site for one more day after installation to confirm operation of the equipment. See note in Assumptions (7.3) regarding potential intermod.
- 5.5 Provide City of Sitka with the As Builds including results of line sweeps made with Site Master, and final measurements of Quantar and Daniels repeaters. All installations will be in accordance with Motorola R56 Guidelines for Site Installation by our ETA International Certified Technicians.

## **6.0 CITY OF SITKA RESPONSIBILITIES**

- 6.1 Provide PCA with an onsite single point contact for the project.
- 6.2 Upon completion of Design Review, City of Sitka needs to provide written notice to proceed referencing the final Design Review documents.
- 6.3 PCA may require assistance traveling to sites as a result of impassable roads or difficult to access sites such as those located at mountain tops. City of Sitka needs to provide transportation and access to these sites as required.
- 6.4 During the Kickoff Meeting, City of Sitka will need to identify the location(s) for equipment storage. This location will be used as the "ship to" address for the equipment and the storage facility will be used to warehouse the equipment as the sites are being prepared. The person responsible to receive the equipment will also be communicated to PCA during this meeting.



- 6.5 During the Kickoff Meeting, the team will establish with City of Sitka the amount of involvement the City of Sitka would like during the implementation process. PCA and City of Sitka will establish times and dates of availability to participate in these events. We have worked well together on many projects in the past.
- 6.6 Provide State Department of Labor determination if Little Davis Bacon applies to contract prior to issuing Purchase Order. Current proposal pricing is based off non Little Davis Bacon work. Should a determination occur that Title 36 (Little Davis Bacon) applies, ProComm Alaska will issue a change order for the adjusted labor rates.

## 7.0 QUALIFICATIONS AND ASSUMPTIONS

- 7.1 Freight pricing includes non-expedited delivery of all equipment to ProComm Alaska for equipment programming and staging and also to the Sitka Police Department for installation. Delivery of equipment will be accomplished by a combination of drop-ship freight directly to the City of Sitka facility, local freight companies, and delivery by the installation personnel as required. Changes or delays as a result of customer changes or contract delays will affect delivery schedules and project timelines. The customer will be responsible for any additional freight charges that result from such delays.
- 7.2 ProComm Alaska assumes there will be no weather delays or excessive stand-by time due to site access. Should there be excessive weather delays and/or stand-by time; ProComm Alaska will submit a Change Order to capture this additional expense.
- 7.3 City of Sitka Addendum No. 1 removed a simplex channel and introduced a two frequency half duplex repeater pair in to the frequency line up. Addendum No. 2 did a good job of delineating the new requirements based on vendor questions. Addendum No. 2 was received on Friday 6/15/12. We ran our studies over the weekend after getting all of the necessary answers to our questions. To make drastic changes in the combiner design at this late stage of the RFP response was impossible due to lack of time required to do so.

With the introduction of the new frequency pair, new inter-modulation and interference potential characteristics were introduced in to the mix by the new pair when mixed with an ALMR system control channel, and SPD Main and Fire Main transmit channels. The end result could be a de-sense and an intermod byproduct with direct hits and a negative effect on SPD main and SFD main. PCA assumes that if real-time site conditions require this issue to be mitigated if the math is correct, that a corrective action plan will be taken by change order to correct this. A new FCC frequency pair may be necessary to remedy this recently introduced issue. See attached I/M studies.



7.4 The changes to the communications system affected by this proposal may require changes to the underlying FCC license. The FCC holds the licensee exclusively responsible for compliance at all times. No modifications to FCC licenses are included in this proposal unless specifically indicated in the Scope of Work. If requested, assistance is available in evaluating whether FCC License modifications are required.

## 8.0 WARRANTY & LIMITATION OF LIABILITY

ProComm Alaska shall make available to City of Sitka any product warranties made by the manufacturer (s) of the software, products, or services utilized by ProComm Alaska in connection with goods and services provided hereunder, to the extent transferable and without recourse.

ProComm Alaska shall warranty that the installation is free from defects in parts and labor for a period of 30 days from the date of installation provided such defects are communicated in writing within that period. ProComm Alaska shall correct reported deficiencies at its principal location or other location which ProComm at its sole discretion shall agree at no additional charge to the City of Sitka.

Except as expressly set forth above or in a contract signed by an officer of ProComm Alaska LLC, ProComm Alaska makes no warranties, expressed or implied, including warranties of merchantability or fitness for a particular purpose, in connection with materials or work order and the transactions contemplated hereby.

In no event shall ProComm Alaska be liable to City of Sitka for any indirect, special or consequential damage or lost profits arising out of or related to materials or work or the performance of breach hereof. Even if ProComm has been advised of the possibility thereof, ProComm's liability to City of Sitka hereunder, if any, shall in no event exceed the total of the charges paid to ProComm hereunder by City of Sitka.

## 9.0

## 10.0 PRICING SUMMARY

Item	Description	Price
1	Installation services,logistics,freight	\$25,511.00
3	Equipment and Material	\$52,010.00
4		
5		
<b>Total</b>		<b>\$77,521.00</b>



### 10.1 Pricing Guarantee

Prices quoted are dependent on the quoted price of PCA suppliers which are guaranteed for a limited time. Therefore, PCA will guarantee the price quoted for a period of 30 days. If Notice to Proceed exceeds the period specified, PCA reserves the right to pass on subsequent increases in costs to City of Sitka.

### 11.0 TERMS & CONDITIONS

- City of Sitka to pay 75 percent of the agreed upon sum at time of contract issuance.
- City of Sitka to pay the remaining 25 percent of the agreed upon sum upon City of Sitka acceptance of the completed work.
- This quote is valid for 30 days from submittal date.

### 12.0 EXCEPTIONS

ProComm Alaska takes exception to the Bonding and Surety requirements as the total project cost does not exceed \$100,000.

### 13.0 ACCEPTANCE

Unless specifically indicated in Section 10.0 (Terms & Conditions) above, acceptance of this proposal and issuance of a purchase order or other purchasing documentation by an authorized representative of the City of Sitka will constitute a contract to perform under the terms and conditions of this proposal.

Signatures:

ProComm Alaska Representative: \_\_\_\_\_ Date: \_\_\_\_\_

City of Sitka Representative: \_\_\_\_\_ Date: \_\_\_\_\_



## APPENDIX A CHANGE REQUEST FORM

Change Request No.: \_\_\_\_\_ Date: \_\_\_\_\_

Requester: \_\_\_\_\_ Telephone: \_\_\_\_\_  
Title: \_\_\_\_\_

Description of Change:

Equipment or Services Required:

Time Line Modification:

Dollar Value of Change (including tax): \$ \_\_\_\_\_

Approvals:  
City of Sitka- \_\_\_\_\_  
Authorized By/Title/Date  
ProComm Alaska - \_\_\_\_\_  
Authorized By/Title/Date

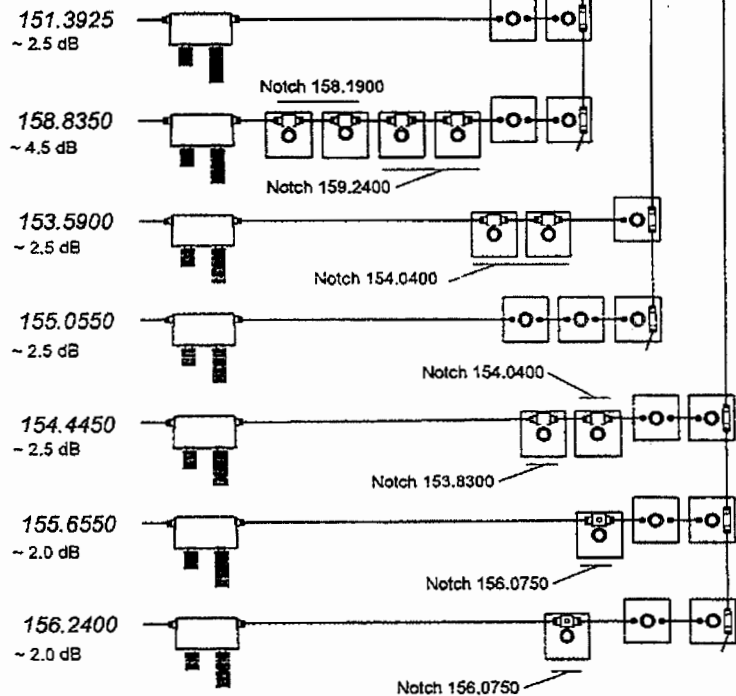
Date	Rev.	Change
6/15/2012	A	Changed Tx 153.9500 to 153.5900 Changed Tx Part Number to . . . . 4SNC-10 Changed Special Note #2) Changed Tx-b & Tx-c separation to 10'

**Special Notes :**

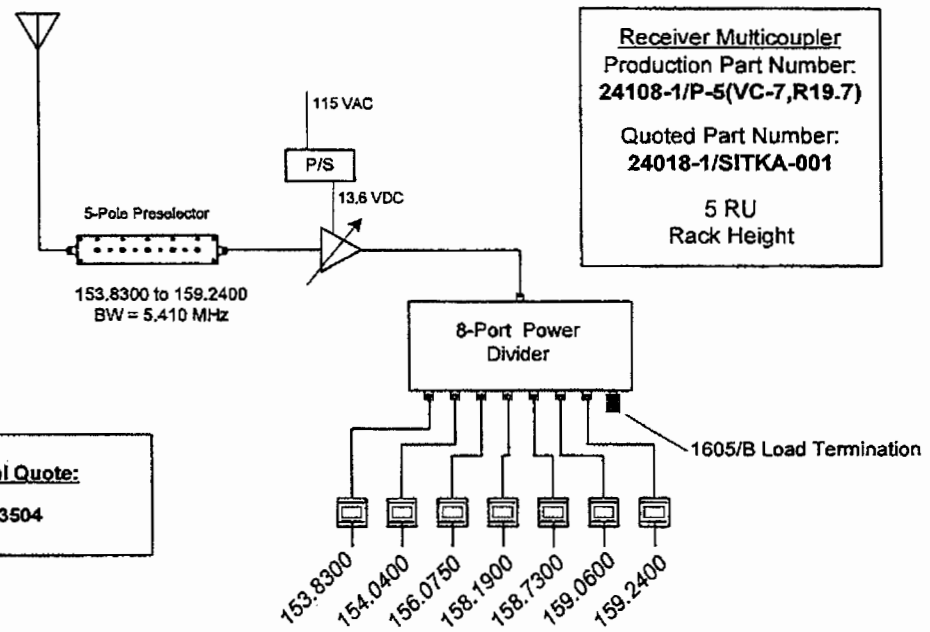
#1) 158.8350 Tx will desense  
158.7300 and 159.0600 Rx

#2) 153.5900 Tx will desense  
153.8300 Rx

#3) 156.2400 Tx will desense  
156.0075 Rx



RX Antenna  
@ 100' level



**Global Quote:**  
G3504

**Transmitter Combiner**  
Production Part Number:  
W64572/4SBC-14,4SNC-10  
Quoted Part Number:  
W64572/SITKA-001  
15 RU  
Rack Height

- Notes:**
- This is a functional Block Diagram for reference only.
  - Not to Scale unless designated.
  - All Frequencies are in MHz .
  - All Insertion Losses are Typical.
  - **All Tx input power = 100 Watts**
  - System will be mounted on a 19" by 7' standard EIA rack

<b>Proprietary Document</b>  This document is the intellectual property of EMR Corporation. Copying, faxing, forwarding as an attachment, or otherwise disseminating, in part or in full, the information contained herein to any third party is strictly prohibited without the express written consent from an authorized EMR representative.	DESIGNED BY:	Wm. Kubicki	<b>EMR CORPORATION®</b>		
	DRAWN BY:	R. Phillips	TITLE / DESC:	7-Channel VHF Tx Combiner System	
	CUSTOMER:	City of Sitka (AK)	FILE NAME:	Sitka, City of - 7ch VHF Tx System. vsd	
	SITE:	Police Department	REV#: A	DATE: June 9, 2012	PAGE: 1 of 1

3 OIM Receive Channel (MHz)	Transmit A (MHz)	Transmit B (MHz)	IM Product (MHz)	Delta (KHz)	
3 TX Mix IM Receive channel (MHz)	Transmit A (MHz)	Transmit B (MHz)	Transmit C (MHz)	IM Product (MHz)	Delta (KHz)
154.04000	153.95000	155.13750	155.05500	154.03250	-7.50000
154.04000	154.77500	155.13750	155.86250	154.05000	10.00000
5th OIM Receive channel (MHz)	Transmit A (MHz)	Transmit B (MHz)	IM Product (MHz)	Delta (KHz)	
154.04000	164.77500	155.13750	154.05000	10.00000	
158.19000	155.36250	153.95000	158.18750	-2.50000	
7th OIM Receive channel (MHz)	Transmit A (MHz)	Transmit B (MHz)	IM Product (MHz)	Delta (KHz)	
9th OIM Receive channel (MHz)	Transmit A (MHz)	Transmit B (MHz)	IM Product (MHz)	Delta (KHz)	
153.83000	155.05500	155.36250	153.82500	-5.00000	
11th OIM Receive channel (MHz)	Transmit A (MHz)	Transmit B (MHz)	IM Product (MHz)	Delta (KHz)	
13th OIM Receive channel (MHz)	Transmit A (MHz)	Transmit B (MHz)	IM Product (MHz)	Delta (KHz)	
154.04000	155.60000	155.86250	154.02600	-15.00000	
15th OIM Receive channel (MHz)	Transmit A (MHz)	Transmit B (MHz)	IM Product (MHz)	Delta (KHz)	
17th OIM Receive channel (MHz)	Transmit A (MHz)	Transmit B (MHz)	IM Product (MHz)	Delta (KHz)	
19th OIM Receive channel (MHz)	Transmit A (MHz)	Transmit B (MHz)	IM Product (MHz)	Delta (KHz)	

SITKA, Rv A  
INCL ALMR Freq  
3 Tx Antennas  
ANTxB  
6/6/2012

TRANSMIT	RECEIVE
153.95000	138.03750
154.77500	138.08750
155.05500	138.18750
155.13750	138.38750
155.36250	138.58750
155.60000	153.83000
155.86250	154.04000
	156.00750
	158.19000
	158.73000
	159.06000
	159.24000

end

end



3 OIM Receive Channel (MHz)	Transmit A (MHz) (MHz)	Transmit B (MHz)		IM Product (MHz)	Delta (KHz)
3 TX Mx IM Receive channel (MHz)	Transmit A (MHz)	Transmit B (MHz)	Transmit C (MHz)	IM Product (MHz)	Delta (KHz)
5th OIM Receive channel (MHz)	Transmit A (MHz)	Transmit B (MHz)		IM Product (MHz)	Delta (KHz)
7th OIM Receive channel (MHz)	Transmit A (MHz)	Transmit B (MHz)		IM Product (MHz)	Delta (KHz)
9th OIM Receive channel (MHz)	Transmit A (MHz)	Transmit B (MHz)		IM Product (MHz)	Delta (KHz)
11th OIM Receive channel (MHz)	Transmit A (MHz)	Transmit B (MHz)		IM Product (MHz)	Delta (KHz)
13th OIM Receive channel (MHz)	Transmit A (MHz)	Transmit B (MHz)		IM Product (MHz)	Delta (KHz)
15th OIM Receive channel (MHz)	Transmit A (MHz)	Transmit B (MHz)		IM Product (MHz)	Delta (KHz)
17th OIM Receive channel (MHz)	Transmit A (MHz)	Transmit B (MHz)		IM Product (MHz)	Delta (KHz)
19th OIM Receive channel (MHz)	Transmit A (MHz)	Transmit B (MHz)		IM Product (MHz)	Delta (KHz)

SITKA Rv. A  
2 Tx Antennas  
ANTxA  
6/6/2012

TRANSMIT	RECEIVE
151.39250	163.83000
154.44500	154.04000
158.83500	158.00750
end	158.19000
	158.73000
	159.06000
	159.24000
	end

3 OIM Receive Channel (MHz)	Transmit A (MHz)	Transmit B (MHz)	IM Product (MHz)	Delta (KHz)	
3 TX Mix IM Receive channel (MHz)	Transmit A (MHz)	Transmit B (MHz)	Transmit C (MHz)	IM Product (MHz)	Delta (KHz)
5th OIM Receive channel (MHz)	Transmit A (MHz)	Transmit B (MHz)	IM Product (MHz)	Delta (KHz)	
7th OIM Receive channel (MHz)	Transmit A (MHz)	Transmit B (MHz)	IM Product (MHz)	Delta (KHz)	
9th OIM Receive channel (MHz)	Transmit A (MHz)	Transmit B (MHz)	IM Product (MHz)	Delta (KHz)	
11th OIM Receive channel (MHz)	Transmit A (MHz)	Transmit B (MHz)	IM Product (MHz)	Delta (KHz)	
13th OIM Receive channel (MHz)	Transmit A (MHz)	Transmit B (MHz)	IM Product (MHz)	Delta (KHz)	
15th OIM Receive channel (MHz)	Transmit A (MHz)	Transmit B (MHz)	IM Product (MHz)	Delta (KHz)	
17th OIM Receive channel (MHz)	Transmit A (MHz)	Transmit B (MHz)	IM Product (MHz)	Delta (KHz)	
19th OIM Receive channel (MHz)	Transmit A (MHz)	Transmit B (MHz)	IM Product (MHz)	Delta (KHz)	

SITKA  
3 Tx Antennas  
ANTxA  
8/8/2012

TRANSMIT	RECEIVE
0.00000	163.83000
151.39250	154.04000
158.83500	156.00750
end	158.19000
	158.73000
	159.06000
	159.24000
	end

3 OIM Receive Channel (MHz)	Transmit A (MHz)	Transmit B (MHz)		IM Product (MHz)	Delta (KHz)
3 TX Mix IM Receive channel (MHz)	Transmit A (MHz)	Transmit B (MHz)	Transmit C (MHz)	IM Product (MHz)	Delta (KHz)
5th OIM Receive channel (MHz)	Transmit A (MHz)	Transmit B (MHz)		IM Product (MHz)	Delta (KHz)
7th OIM Receive channel (MHz)	Transmit A (MHz)	Transmit B (MHz)		IM Product (MHz)	Delta (KHz)
9th OIM Receive channel (MHz)	Transmit A (MHz)	Transmit B (MHz)		IM Product (MHz)	Delta (KHz)
11th OIM Receive channel (MHz)	Transmit A (MHz)	Transmit B (MHz)		IM Product (MHz)	Delta (KHz)
13th OIM Receive channel (MHz)	Transmit A (MHz)	Transmit B (MHz)		IM Product (MHz)	Delta (KHz)
15th OIM Receive channel (MHz)	Transmit A (MHz)	Transmit B (MHz)		IM Product (MHz)	Delta (KHz)
17th OIM Receive channel (MHz)	Transmit A (MHz)	Transmit B (MHz)		IM Product (MHz)	Delta (KHz)
19th OIM Receive channel (MHz)	Transmit A (MHz)	Transmit B (MHz)		IM Product (MHz)	Delta (KHz)

SITKA, Rv. A  
3 Tx Antennas  
ANTxC  
6/6/2012

TRANSMIT	RECEIVE
154.44500	153.83000
155.65500	154.04000
166.24000	158.00750
end	158.19000
	158.73000
	159.06000
	159.24000
	end

3 OIM				
Receive Channel (MHz)	Transmit A (MHz)	Transmit B (MHz)	IM Product (MHz)	Delta (KHz)
154.04000	155.13750	156.24000	154.03500	-5.00000

3 TX Mix IM					
Receive channel (MHz)	Transmit A (MHz)	Transmit B (MHz)	Transmit C (MHz)	IM Product (MHz)	Delta (KHz)
154.04000	154.77500	155.13750	155.86250	154.05000	10.00000
156.00750	154.77500	155.65500	154.44500	155.98500	-22.50000
158.00750	155.13750	155.65500	154.77500	156.01750	10.00000
156.00750	155.13750	156.24000	155.36250	156.01500	7.50000
156.00750	156.36250	156.24000	155.60000	156.00250	-5.00000
158.00750	155.65500	156.24000	155.86250	156.03250	25.00000

SITKA, Rv A  
 INCL ALMR Freq.s  
 3 Tx Antennas  
 ANTxC  
 6/6/2012

5th OIM				
Receive channel (MHz)	Transmit A (MHz)	Transmit B (MHz)	IM Product (MHz)	Delta (KHz)
154.04000	154.77500	155.13750	154.05000	10.00000

7th OIM				
Receive channel (MHz)	Transmit A (MHz)	Transmit B (MHz)	IM Product (MHz)	Delta (KHz)
159.06000	155.60000	154.44500	159.06500	5.00000

9th OIM				
Receive channel (MHz)	Transmit A (MHz)	Transmit B (MHz)	IM Product (MHz)	Delta (KHz)

11th OIM				
Receive channel (MHz)	Transmit A (MHz)	Transmit B (MHz)	IM Product (MHz)	Delta (KHz)

13th OIM				
Receive channel (MHz)	Transmit A (MHz)	Transmit B (MHz)	IM Product (MHz)	Delta (KHz)
154.04000	155.60000	155.86250	154.02500	-15.00000
156.00750	155.65500	155.60000	155.98500	-22.50000

15th OIM				
Receive channel (MHz)	Transmit A (MHz)	Transmit B (MHz)	IM Product (MHz)	Delta (KHz)

17th OIM				
Receive channel (MHz)	Transmit A (MHz)	Transmit B (MHz)	IM Product (MHz)	Delta (KHz)
159.24000	156.24000	156.86250	159.26000	20.00000

19th OIM				
Receive channel (MHz)	Transmit A (MHz)	Transmit B (MHz)	IM Product (MHz)	Delta (KHz)

TRANSMIT	RECEIVE
154.44500	138.03750
154.77500	138.08750
155.13750	138.18750
155.36250	138.38750
155.60000	138.58750
155.65500	153.83000
155.86250	154.04000
156.24000	156.00750

end

end

3 OIM Receive Channel (MHz)	Transmit A (MHz)	Transmit B (MHz)	IM Product (MHz)	Delta (KHz)	
3 TX Mix IM Receive channel (MHz)	Transmit A (MHz)	Transmit B (MHz)	Transmit C (MHz)	IM Product (MHz)	Delta (KHz)
5th OIM Receive channel (MHz)	Transmit A (MHz)	Transmit B (MHz)	IM Product (MHz)	Delta (KHz)	
153.83000	155.05500	155.65500	153.85500	25.00000	
159.06000	155.65500	153.95000	159.06500	5.00000	
7th OIM Receive channel (MHz)	Transmit A (MHz)	Transmit B (MHz)	IM Product (MHz)	Delta (KHz)	
9th OIM Receive channel (MHz)	Transmit A (MHz)	Transmit B (MHz)	IM Product (MHz)	Delta (KHz)	
11th OIM Receive channel (MHz)	Transmit A (MHz)	Transmit B (MHz)	IM Product (MHz)	Delta (KHz)	
13th OIM Receive channel (MHz)	Transmit A (MHz)	Transmit B (MHz)	IM Product (MHz)	Delta (KHz)	
159.24000	155.65500	155.05500	159.25500	15.00000	
15th OIM Receive channel (MHz)	Transmit A (MHz)	Transmit B (MHz)	IM Product (MHz)	Delta (KHz)	
17th OIM Receive channel (MHz)	Transmit A (MHz)	Transmit B (MHz)	IM Product (MHz)	Delta (KHz)	
19th OIM Receive channel (MHz)	Transmit A (MHz)	Transmit B (MHz)	IM Product (MHz)	Delta (KHz)	

SITKA, Rv A

2 Tx Antennas

ANTxB

6/6/2012

TRANSMIT	RECEIVE
153.95000	153.83000
155.05500	154.04000
155.65500	156.00750
156.24000	158.19000
	158.73000
	159.06000
	159.24000

end

end

3 OIM Receive Channel (MHz)	Transmit A (MHz)	Transmit B (MHz)	IM Product (MHz)	Delta (KHz)	
3 TX Mix IM Receive channel (MHz)	Transmit A (MHz)	Transmit B (MHz)	Transmit C (MHz)	IM Product (MHz)	Delta (KHz)
5th OIM Receive channel (MHz)	Transmit A (MHz)	Transmit B (MHz)	IM Product (MHz)	Delta (KHz)	
7th OIM Receive channel (MHz)	Transmit A (MHz)	Transmit B (MHz)	IM Product (MHz)	Delta (KHz)	
9th OIM Receive channel (MHz)	Transmit A (MHz)	Transmit B (MHz)	IM Product (MHz)	Delta (KHz)	
11th OIM Receive channel (MHz)	Transmit A (MHz)	Transmit B (MHz)	IM Product (MHz)	Delta (KHz)	
13th OIM Receive channel (MHz)	Transmit A (MHz)	Transmit B (MHz)	IM Product (MHz)	Delta (KHz)	
15th OIM Receive channel (MHz)	Transmit A (MHz)	Transmit B (MHz)	IM Product (MHz)	Delta (KHz)	
17th OIM Receive channel (MHz)	Transmit A (MHz)	Transmit B (MHz)	IM Product (MHz)	Delta (KHz)	
19th OIM Receive channel (MHz)	Transmit A (MHz)	Transmit B (MHz)	IM Product (MHz)	Delta (KHz)	

SITKA, Rv. A  
3 Tx Antenas  
ANTxB  
6/62012

TRANSMIT	RECEIVE
153.95000	0.00000
155.05500	153.83000
end	154.04000
	156.00750
	158.19000
	158.73000
	159.06000
	159.24000
	end

3 OIM					
Receive Channel (MHz)	Transmit A (MHz)	Transmit B (MHz)		IM Product (MHz)	Delta (KHz)

3 TX Mix IM					
Receive channel (MHz)	Transmit A (MHz)	Transmit B (MHz)	Transmit C (MHz)	IM Product (MHz)	Delta (KHz)
154.04000	154.77500	155.13750	155.86250	154.05000	10.00000
158.73000	154.77500	155.36250	151.39250	158.74500	15.00000
159.06000	155.36250	158.83500	155.13750	159.06000	0.00000
159.08000	155.60000	158.83500	155.36250	159.07250	12.50000
159.24000	154.77500	155.86250	151.39250	159.24500	5.00000

SITKA, Rv. A  
INCL ALMR Freq.s

3 Tx Antennas

ANTxA

6/6/2012

5th OIM					
Receive channel (MHz)	Transmit A (MHz)	Transmit B (MHz)		IM Product (MHz)	Delta (KHz)
154.04000	154.77500	155.13750		154.05000	10.00000

7th OIM					
Receive channel (MHz)	Transmit A (MHz)	Transmit B (MHz)		IM Product (MHz)	Delta (KHz)

9th OIM					
Receive channel (MHz)	Transmit A (MHz)	Transmit B (MHz)		IM Product (MHz)	Delta (KHz)

11th OIM					
Receive channel (MHz)	Transmit A (MHz)	Transmit B (MHz)		IM Product (MHz)	Delta (KHz)

13th OIM					
Receive channel (MHz)	Transmit A (MHz)	Transmit B (MHz)		IM Product (MHz)	Delta (KHz)
138.03750	155.86250	158.83500		138.02750	-10.00000
154.04000	156.80000	155.86250		154.02500	-15.00000

15th OIM					
Receive channel (MHz)	Transmit A (MHz)	Transmit B (MHz)		IM Product (MHz)	Delta (KHz)

17th OIM					
Receive channel (MHz)	Transmit A (MHz)	Transmit B (MHz)		IM Product (MHz)	Delta (KHz)

19th OIM					
Receive channel (MHz)	Transmit A (MHz)	Transmit B (MHz)		IM Product (MHz)	Delta (KHz)

TRANSMIT	RECEIVE
151.39250	138.03750
154.77500	138.08750
155.13750	138.16750
155.36250	138.38750
155.60000	138.58750
155.86250	153.83000
158.83500	154.04000
	156.00750
	158.19000
	158.73000
	159.06000
	159.24000

end

end